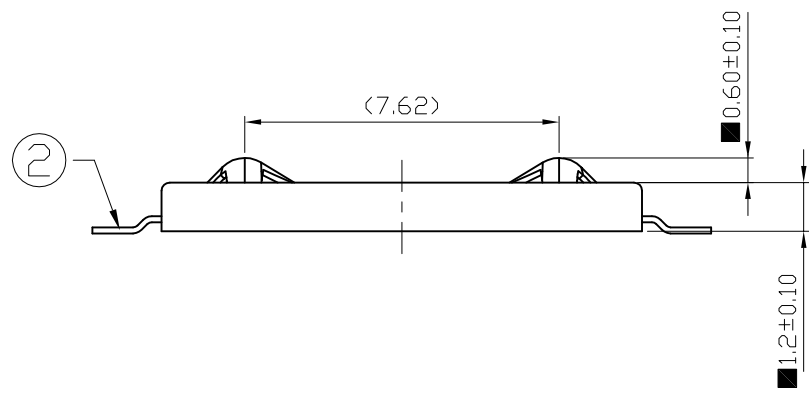
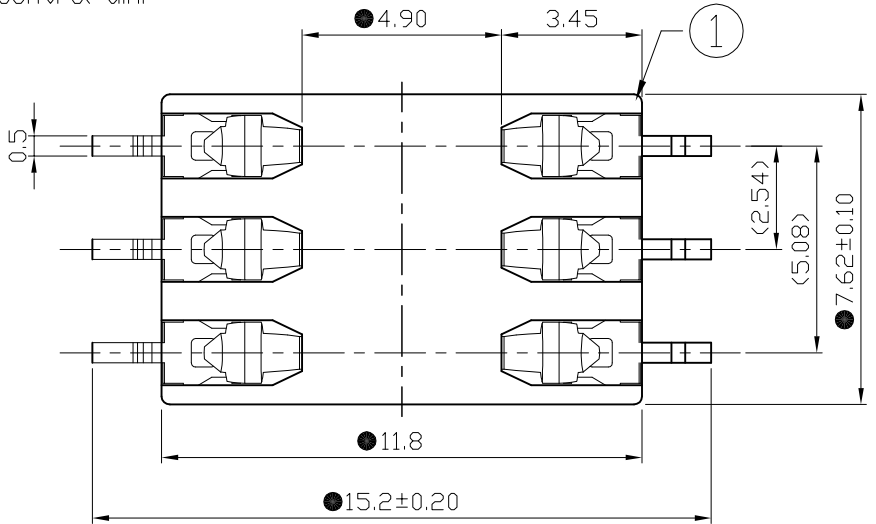


THESE DRAWINGS AND SPECIFICATIONS ARE THE SOLE PROPERTY OF ADVANCED CONNECTION TECHNOLOGY INC. AND SHALL NOT BE REPRODUCED, COPIED, OR USED IN ANY MANNER WITHOUT THE PRIOR WRITTEN CONSENT OF ADVANCED CONNECTION TECHNOLOGY INC. OR ITS AFFILIATED SUBSIDIARIES.

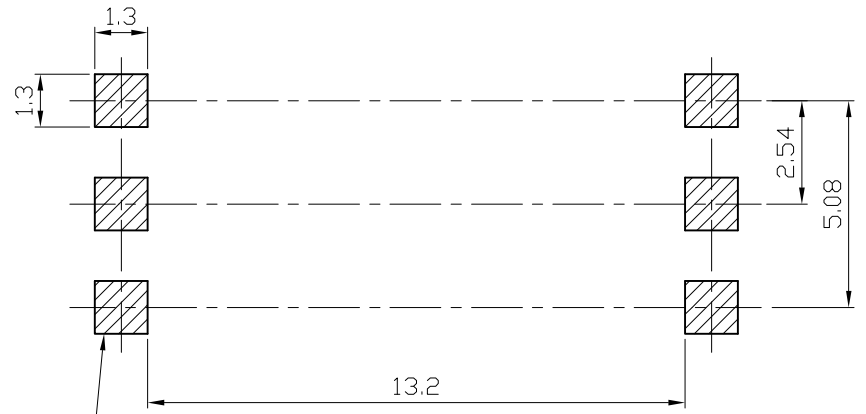
CAD FILE: S0000101A

REV.	DESCRIPTION	DWG		APPROVED	
		NAME	DATE	NAME	DATE
AA	RELEASED	Balon	2006/07/15	Hunter	2006/07/15

- 1 ◆ Assembly dim.
 2 ■ Functionally dim.
 3 ● Control dim.



RECOMMENDED P.C. BOARD LAYOUT



Solder Areas (6 POS.)

NOTES:

1. CONTACT: PHOSPHOR BRONZE.
2. INSULATOR: LCP, BLACK.
3. PLATING: SELECTED 30u' GOLD (Contact Area) OVER NICKEL.

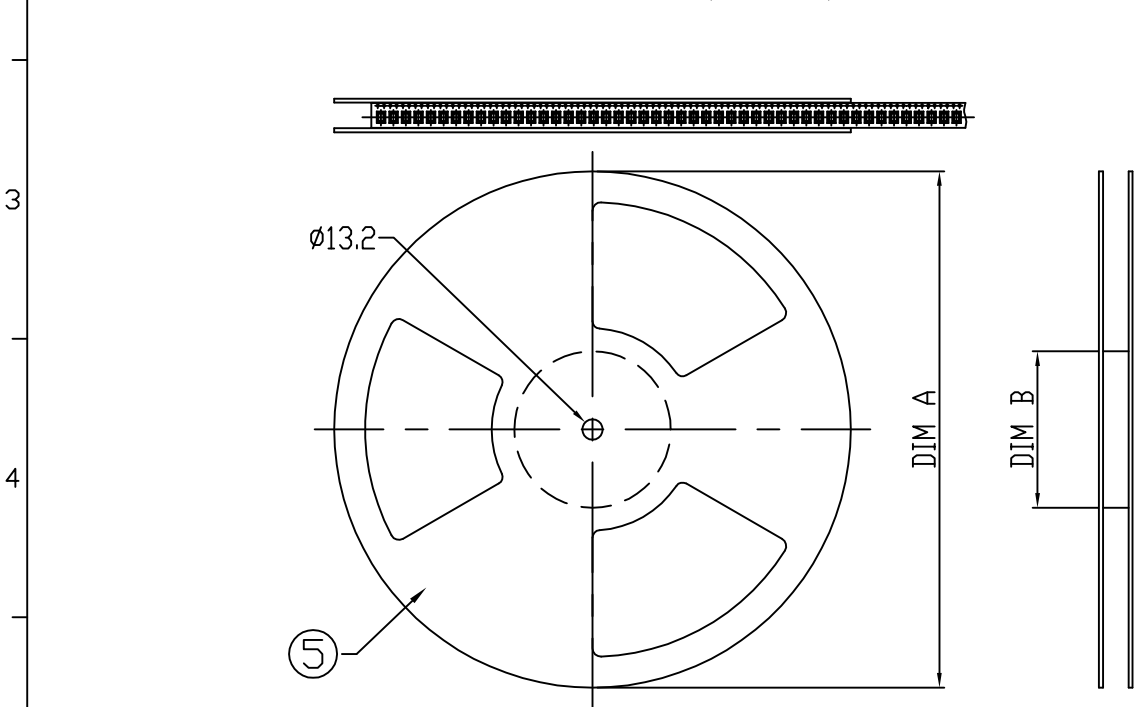
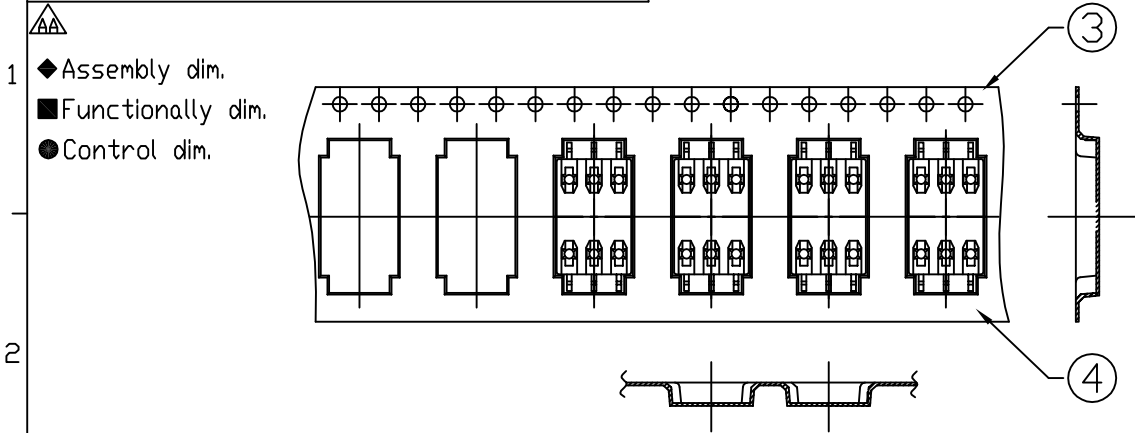
ITEM	P/N REQ'D	DESCRIPTION	UNIT	Q'TY
②	250-455-125	Sim card contact	PC	6
①	206-217-000	Sim card housing	PC	1

INTENDED USE: TQUN		ACT Advanced Connection Technology Inc. TAIWAN, R.O.C. TEL: 886-2-88091060			
GENERAL DIMENSION		TITLE: SIM CARD CONN. 2x3P 11.8x7.62mm		DRAWN: Balon	2006/07/15
XX±0.30	X.X±0.15	DWG NO: 217-00001-01		CHECKED: Knight	2006/07/15
X±0.20	X.XX±0.07	REV: AA		APPROVED: Hunter	2006/07/15
UNIT: mm		SCALE: NONE	SHEET 1 OF 2	NAME	DATE

THESE DRAWINGS AND SPECIFICATIONS ARE THE SOLE PROPERTY OF ADVANCED CONNECTION TECHNOLOGY INC. AND SHALL NOT BE REPRODUCED, COPIED, OR USED IN ANY MANNER WITHOUT THE PRIOR WRITTEN CONSENT OF ADVANCED CONNECTION TECHNOLOGY INC. OR ITS AFFILIATED SUBSIDIARIES.

CAD FILE: S0000101B

REV.	DESCRIPTION	DWG		APPROVED	
		NAME	DATE	NAME	DATE
AA	RELEASED	Nancy	2006/02/28	Hunter	2006/02/28



5	⑤	090-300-971	REEL	R	0.0005
	④	090-200-971	COVER TAPE	M	0.0132
	③	090-190-913	CARRIER TAPE	M	0.0126
	ITEM	P/N REQ'D	DESCRIPTION	UNIT	Q'TY

NOTES:

- 1. PACKING PREPARE LEADER AND EMPTY. DETAIL AS BELOW
-
- 2. FORCE OF TEARING OFF TOP TAPE 15~80 gf. TEARING OFF IN THIS DIRECTION
-
- 3. EDGE OF ROLLING UP SHOULD BE ADHERED. THE TOP COVER TAPE TO THE SIDE OF REEL AN ADHESIVE TAPE.
 - 4. TOP COVER TAPE SHOULD BE LIMITED IN AREA OF PLASTIC TAPE.
 - 5. PLASTIC REEL ---DIM A ϕ 330.2*DIM B ϕ 100.
 - 6. QUANTITY---PLASTIC REEL ABOUT 2200 PCS.
 - 7. CARRIER TAPE COLOR : TRANSPARENT.

NON PASTE LEADER
20-50 MIN. 150

INTENDED USE: ACT		SACT Advanced Connection Technology Inc. TAIWAN, R.O.C. TEL: 886-2-88091060			
GENERAL DIMENSION		TITLE: PACKAGE FORM		DRAWN: Nancy	
XX \pm 0.30	.X \pm 0.20	DWG NO: 217-00001-01		CHECKED: Ahua	
X \pm 0.25	.XX \pm 0.15	REV. AA		APPROVED: Hunter	
UNIT: mm		SCALE: NONE		SHEET 2 OF 2	
		NAME		DATE	