

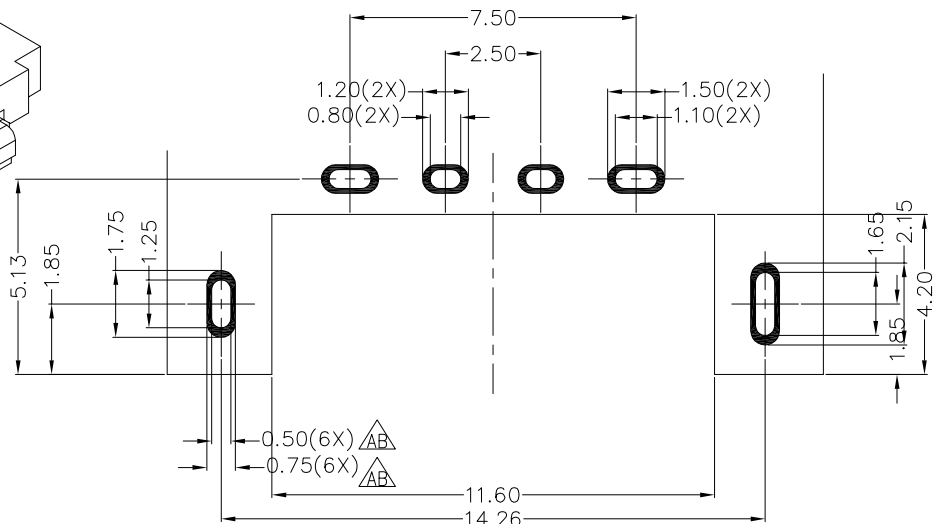
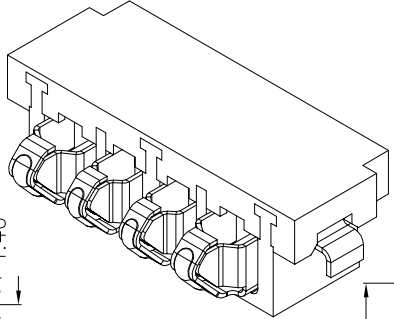
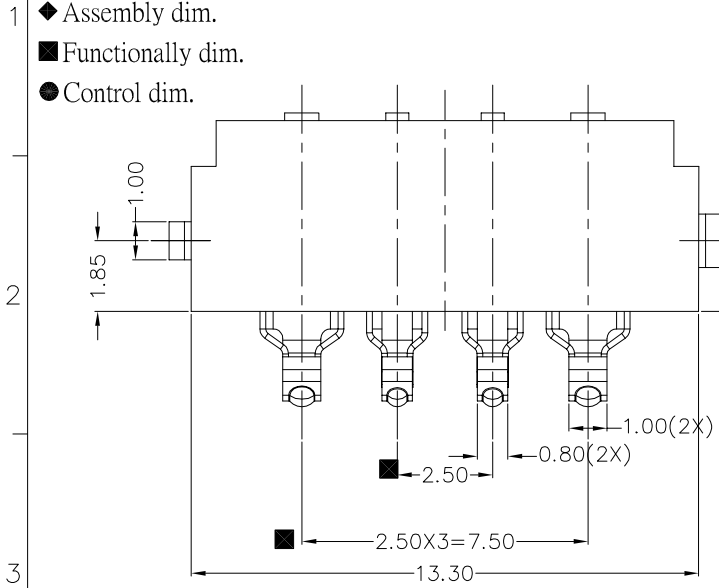
THESE DRAWINGS AND SPECIFICATIONS ARE THE SOLE PROPERTY OF ADVANCED CONNECTION TECHNOLOGY INC. AND SHALL NOT BE REPRODUCED, COPIED, OR USED IN ANY MANNER WITHOUT THE PRIOR WRITTEN CONSENT OF ADVANCED CONNECTION TECHNOLOGY INC. OR ITS AFFILIATED SUBSIDIARIES.

CAD FILE: S0400010a

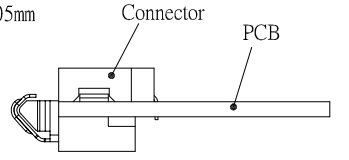
REV.	DESCRIPTION	DWG		APPROVED	
		NAME	DATE	NAME	DATE
AA	Released	Erin	06/22/2007	Venky	06/25/2007
AB	ECN: DCO707019	Ray	08/14/2007	Venky	08/14/2007

△AB

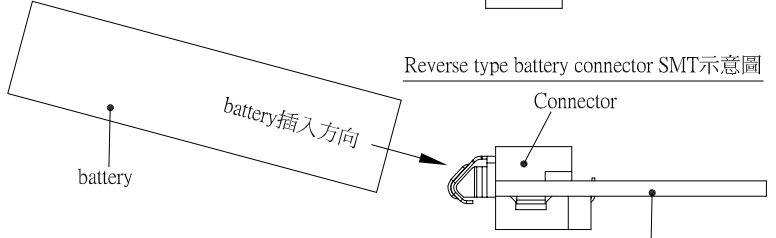
- ◆ Assembly dim.
- Functionally dim.
- Control dim.



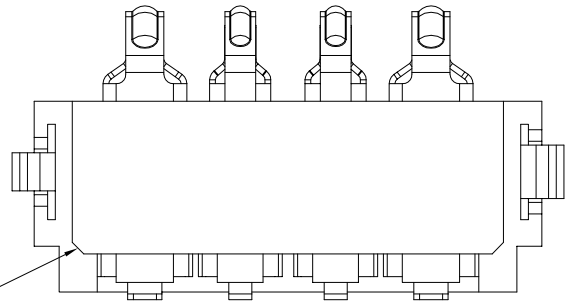
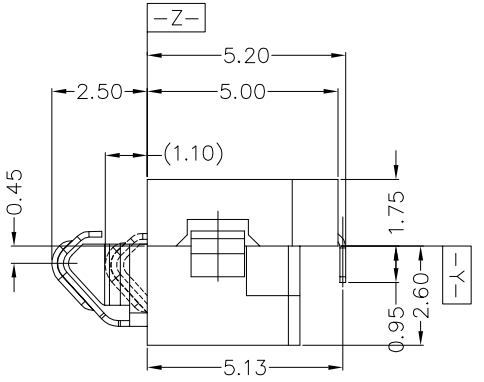
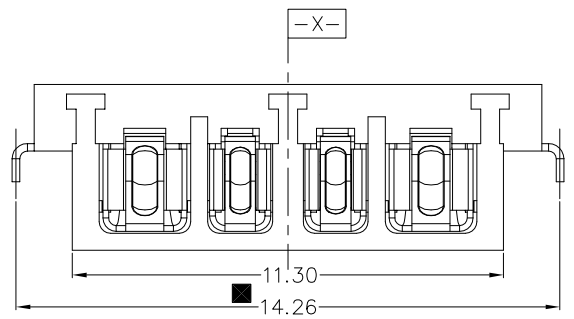
RECOMMENDED PCB LAYOUT
TOLERANCE : ±0.05mm



Reverse type battery connector SMT示意图

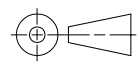


Reverse type battery connector使用示意图



NOTE:
1. Material:
Housing: High-Temperature LCP
Contact: Copper alloy.
Plating: Ni Over all, Au (Contact area), Au (Soldering area).
Soldering Pin: Copper alloy.
Plating: Ni, Sn Over all.
2. COPLANARITY SHOULD BE WITHIN 0.1mm.

INTENDED USE: THTC	ACT Advanced Connection Technology Inc. TAIWAN, R.O.C. TEL: 886-2-88091060		DRAWN: Ray	08/14/2007
GENERAL DIMENSION	TITLE: 4pin Battery Conn. Pitch=2.5mm Reverse type		CHECKED: Erin	08/14/2007
XX±0.25 .X±0.15	DWG NO: 800-04000-10 AB		APPROVED: Venky	08/14/2007
X±0.20 .XX±0.1	UNIT: mm	SCALE: NONE	SHEET 1 OF 2	NAME DATE



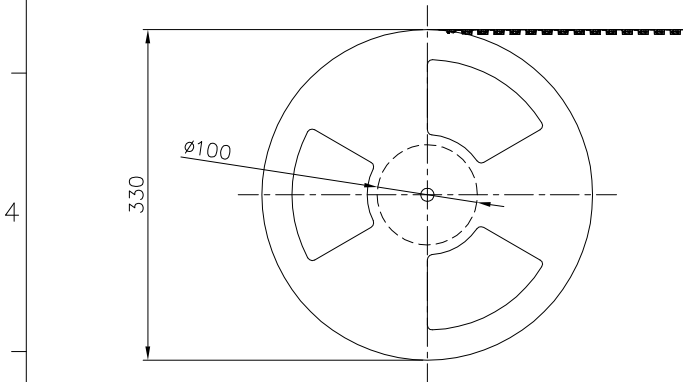
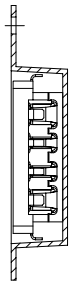
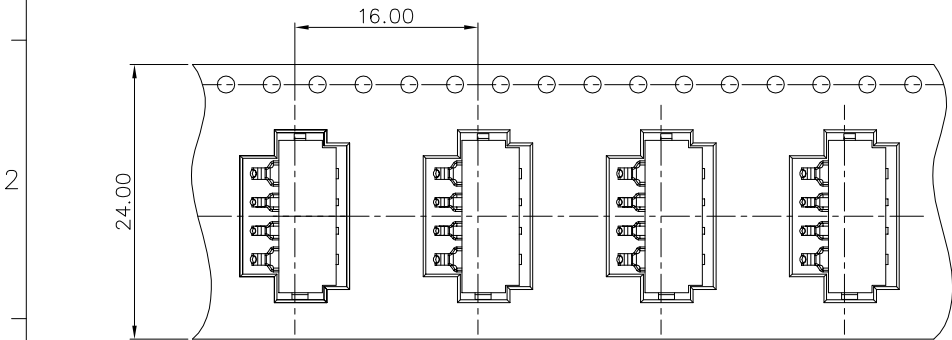
THESE DRAWINGS AND SPECIFICATIONS ARE THE SOLE PROPERTY OF ADVANCED CONNECTION TECHNOLOGY INC. AND SHALL NOT BE REPRODUCED, COPIED, OR USED IN ANY MANNER WITHOUT THE PRIOR WRITTEN CONSENT OF ADVANCED CONNECTION TECHNOLOGY INC. OR ITS AFFILIATED SUBSIDIARIES.

CAD FILE: S0400010b

REV.	DESCRIPTION	DWG		APPROVED	
		NAME	DATE	NAME	DATE
AA	Released	Erin	06/22/2007	Venky	06/25/2007
AB	DC0707019	Ray	08/14/2007	Venky	08/14/2007

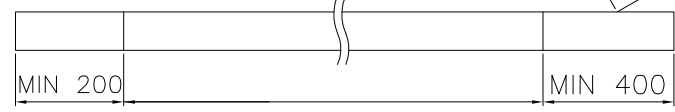
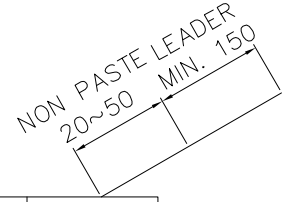
△AB

- ◆ Assembly dim.
- Functionally dim.
- Control dim.



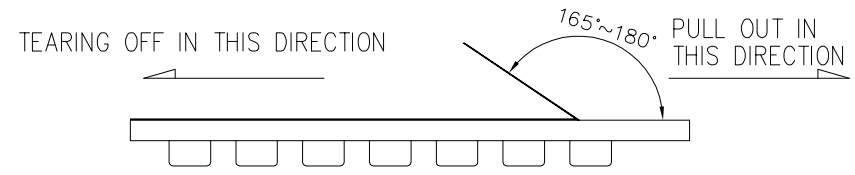
NOTES:

● 1. PACKING PREPARE LEADER AND EMPTY. DETAIL AS BELOW



TAIL(EMPTY) WITH CONNECTOR LEADER(EMPTY)

● 2. FORCE OF TEARING OFF TOP TAPE 15~80 gf



- 3. EDGE OF ROLLING UP SHOULD BE ADHERED THE TOP COVER TAPE TO THE SIDE OF RELL AN ADHENSIVE TAPE
- 4. TOP COVER TAPE SHOULD BE LIMITED IN AREA OF PLASTIC TAPE
- 5. PLASTIC REEL ---DIM A $\phi 330$ DIM B $\phi 100$
- 6. QUANTITY----PLASTIC REEL ABOUT 900 PCS
- 7. CARRIER TAPE COLOR : TRANSPARENT.

INTENDED USE: THTC		ACT Advanced Connection Technology Inc. TAIWAN, R.O.C. TEL: 886-2-88091060			
GENERAL DIMENSION		TITLE: 4pin Battery Conn. Pitch=2.5mm Reverse type		DRAWN: Ray 08/14/2007	
XX±0.15	.X±0.07	DWG NO: 800-04000-10		CHECKED: Erin 08/14/2007	
X±0.10	.XX±0.03	REV: AB		APPROVED: Venky 08/14/2007	
UNIT: mm		SCALE: NONE		SHEET 2 OF 2	
		NAME		DATE	