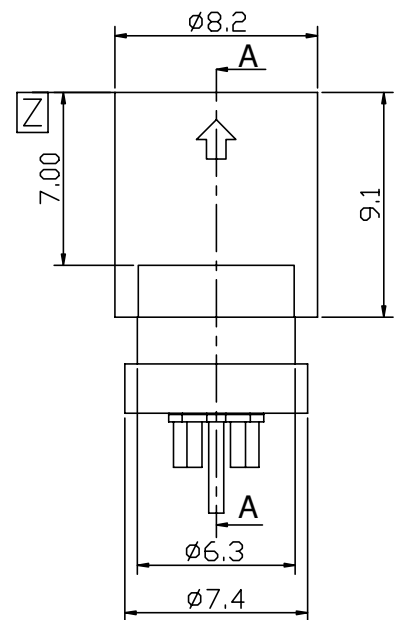
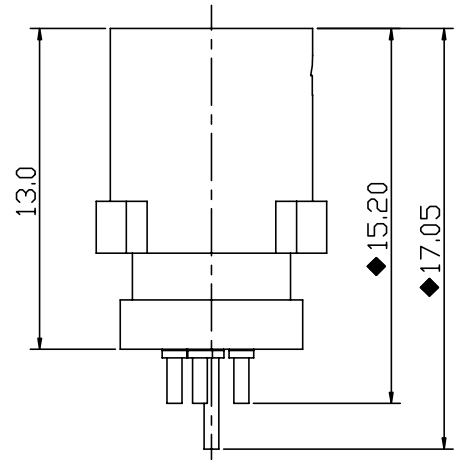
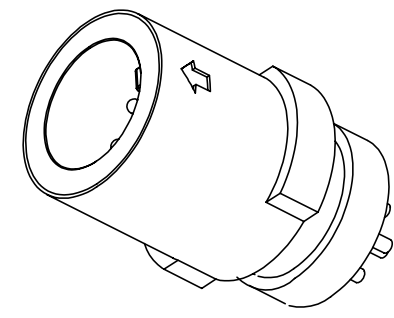
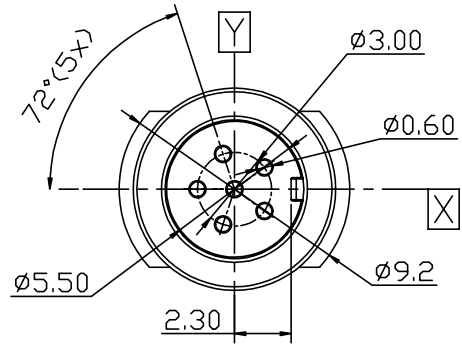


THESE DRAWINGS AND SPECIFICATIONS ARE THE SOLE PROPERTY OF ADVANCED CONNECTION TECHNOLOGY INC. AND SHALL NOT BE REPRODUCED, COPIED, OR USED IN ANY MANNER WITHOUT THE PRIOR WRITTEN CONSENT OF ADVANCED CONNECTION TECHNOLOGY INC. OR ITS AFFILIATED SUBSIDIARIES.

CAD FILE: S0600000a


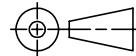
REV.	DESCRIPTION	DWG		APPROVED	
		NAME	DATE	NAME	DATE
AA	RELEASED	Peak	11/18/2008	Ahua	11/18/2008

- 1 ■ Functionally dim.  
 ◆ Assembly dim.  
 ● Control dim.



Note  
 1.Materials:  
 Housing:PBT Black  
 Contact:Brass  
 2.Plating:  
 Contact:Ni under plating,  
 Sn on all area.

Approval Signature

INTENDED USE: ACT	 <b>Advanced Connection Technology</b> TAIWAN TEL: 886-2-88091060			
GENERAL DIMENSION	TITLE: <b>Mini Din Specifical 6P Male</b>		DRAWN: <b>Peak</b>	11/18/2008
Angle ±°1	DWG NO: <b>311-06000-00</b>		CHECKED: <b>Balon</b>	11/18/2008
X±0.25 XX±0.15	REV. <b>AA</b>	APPROVED: <b>Ahua</b>		11/18/2008
	UNIT: <b>mm</b>	SCALE: <b>NONE</b>	SHEET <b>1 OF 1</b>	NAME DATE