

THESE DRAWINGS AND SPECIFICATIONS ARE THE SOLE PROPERTY OF ADVANCED CONNECTION TECHNOLOGY INC. AND SHALL NOT BE REPRODUCED, COPIED, OR USED IN ANY MANNER WITHOUT THE PRIOR WRITTEN CONSENT OF ADVANCED CONNECTION TECHNOLOGY INC. OR ITS AFFILIATED SUBSIDIARIES.

CAD FILE: S0411111a

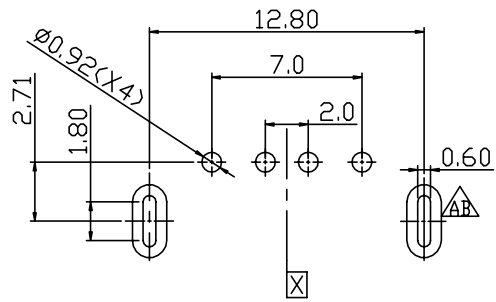
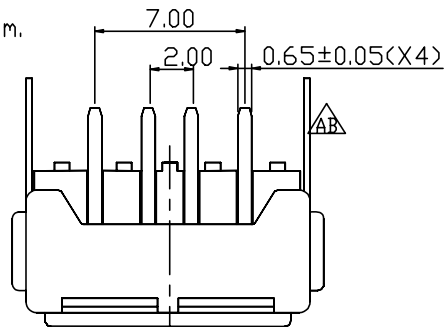
REV.	DESCRIPTION	DWG		APPROVED	
		NAME	DATE	NAME	DATE
AA	RELEASED	Cat	04/01/2008	Hunter	04/01/2008
AB	ECN NO:DC0810003	Cat	10/13/2008	Hunter	10/13/2008



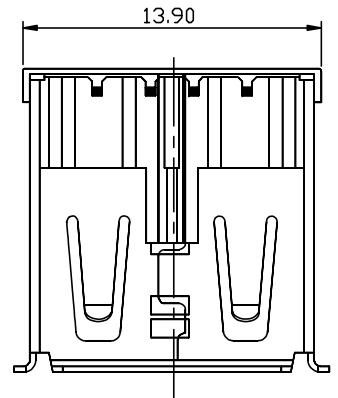
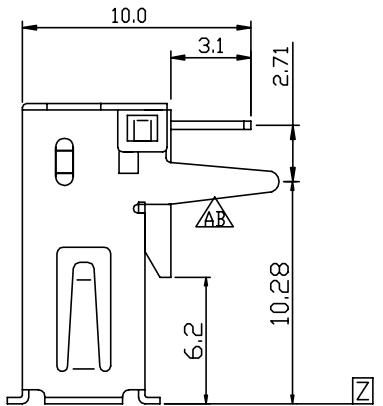
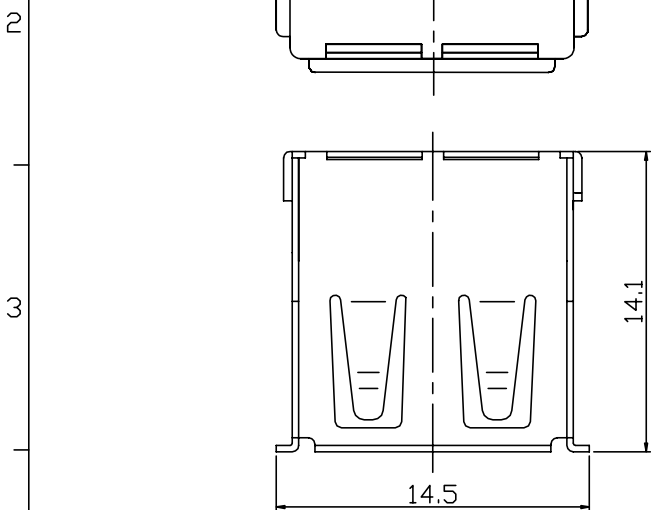
1 ◆ Assembly dim.

■ Functionally dim.

● Control dim.

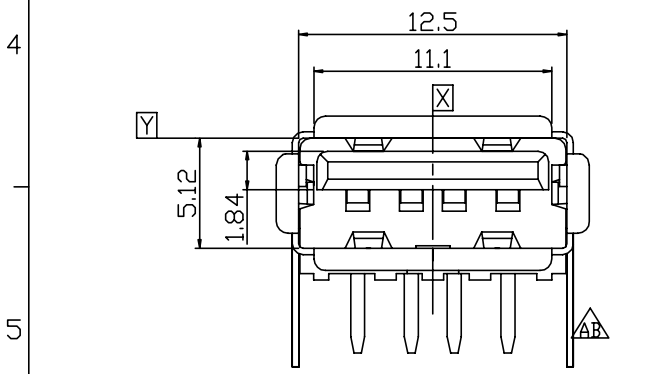


Recommended PCB Layout
Tolerance : ±0.05mm



Notes:

- Electrical :
Voltage Current rating:1.5A.30V
Withstanding voltage:500VAC
Insulation Resistance:1000Mohm min
Contact Resistance:50mohm max
- Mechanical:
Mating: 35N max
Withstanding Force: 5N min
Durability: 1500 cycles min
- Environmental
Operating Temperature:-55°C to 85°C
- Material
Housing:LCP,WHITE,UL94-V0
Contact:Copper alloy
Shell :Copper alloy
- Plating :
Contact : Glod 15u"and Tin 70u" min
over Nickel plated
Shell : 120u" min Nickel over all plating



INTENDED USE: CACT		Advanced Connection Technology			
GENERAL DIMENSION		TITLE: USB 4pins AF 90° DIP		DRAWN: Cat	10/13/2008
.XX±0.15		DWG NO: 301-04111-11		CHECKED: Ahua	10/13/2008
X±0.20 X±0.25		REV. AB		APPROVED: Hunter	10/13/2008
		UNIT: mm	SCALE: NONE	SHEET 1 OF 1	NAME DATE