

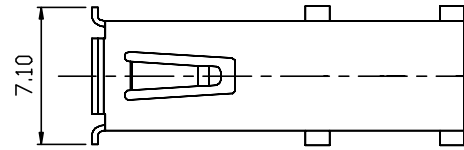
THESE DRAWINGS AND SPECIFICATIONS ARE THE SOLE PROPERTY OF ADVANCED CONNECTION TECHNOLOGY INC. AND SHALL NOT BE REPRODUCED, COPIED, OR USED IN ANY MANNER WITHOUT THE PRIOR WRITTEN CONSENT OF ADVANCED CONNECTION TECHNOLOGY INC. OR ITS AFFILIATED SUBSIDIARIES.

CAD FILE: S0411117a

REV.	DESCRIPTION	DWG		APPROVED	
		NAME	DATE	NAME	DATE
AA	RELEASED	penny	11/29/2008	hunter	11/29/2008

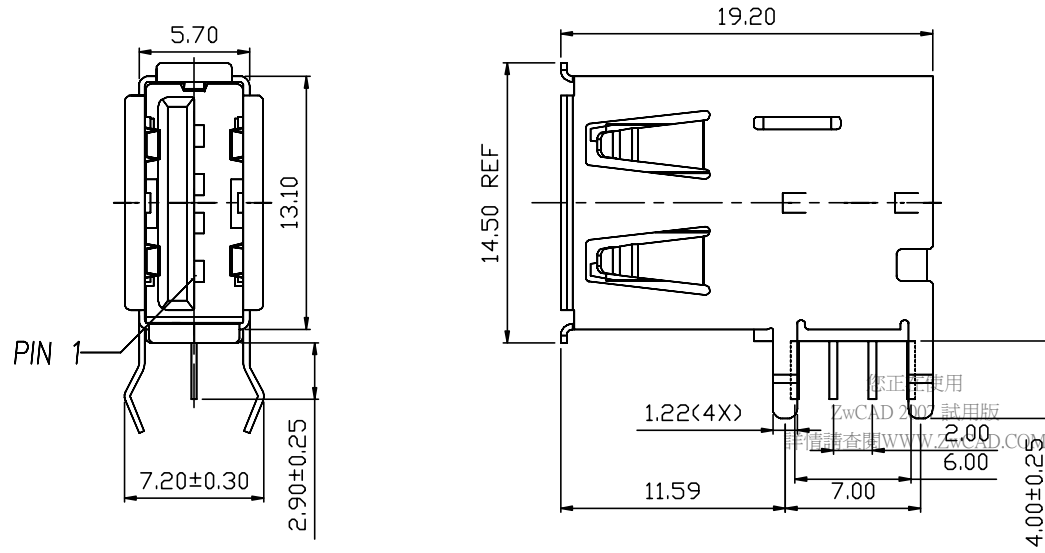


- 1 ■ Functionally dim.
- ◆ Assembly dim.
- Control dim.

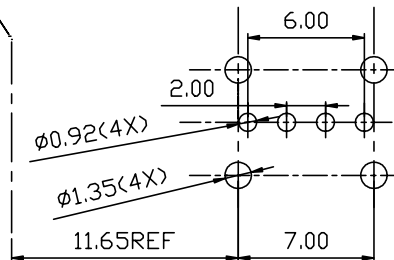


Note:

1. Material:
 - Contacts: Phosphone Bronze t=0.25
 - Insulator: PBT+30% G.F. UL 94V-0
 - Back shell: Spcc t=0.30
 - shell: Brass t=0.30
 - cover: PBT+30% G.F. UL 94V-0
2. Mechanical:
 - Mating: 35N max
 - Withdrawal Force: 10N min.
 - Durability: 1500 cycles min.
3. Electrical:
 - Current-max[amps] 1.5A
 - Voltage-max[volts] 30v
 - Withstanding Voltage 500V AC
 - Contact Resistance [ohms] 30 milliohms max
 - Insulation Resistance [ohms] 1000 Megohms min
4. Plating:
 - Contacts: Gold Flash And Over Nickel Plated
 - Shell : Nickel over all plating
5. Environmental:
 - Temperature Range -55°C~+85°C



PROFILE OF CONECTOR



RECOMMENDED P.C.B LAYOUT

Approval Signature

INTENDED USE: ACT		Advanced Connection Technology TAIWAN TEL: 886-2-88091060			
GENERAL DIMENSION		TITLE:	Mini USB 5M SMT		DRAWN: Penny 11/29/2008
ANG±2.5°	.XX±0.20	DWG NO:		REV.	CHECKED:
.X±0.35	XXX±0.15	301-04111-17		AA	ahua 11/29/2008
		UNIT:	SCALE:	SHEET	APPROVED:
		mm	NONE	1 OF 1	hunter 11/29/2008
					NAME DATE