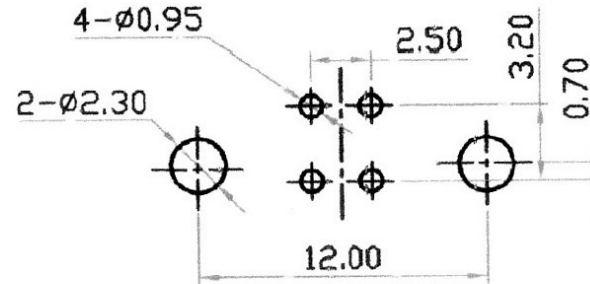
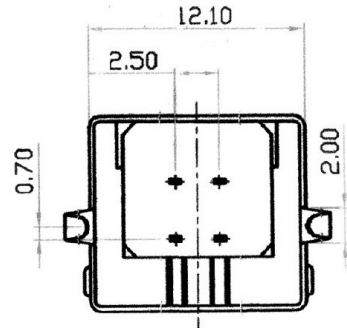


THESE DRAWINGS AND SPECIFICATIONS ARE THE SOLE PROPERTY OF ADVANCED CONNECTION TECHNOLOGY INC. AND SHALL NOT BE REPRODUCED, COPIED, OR USED IN ANY MANNER WITHOUT THE PRIOR WRITTEN CONSENT OF ADVANCED CONNECTION TECHNOLOGY INC. OR ITS AFFILIATED SUBSIDIARIES.

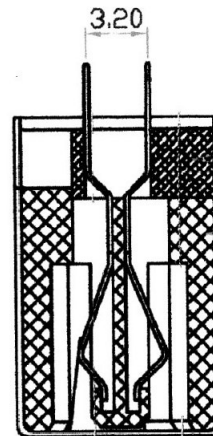
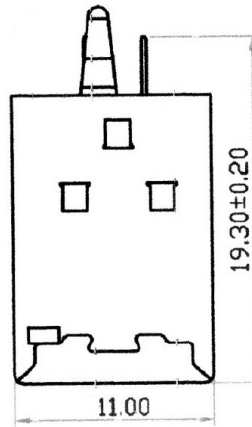
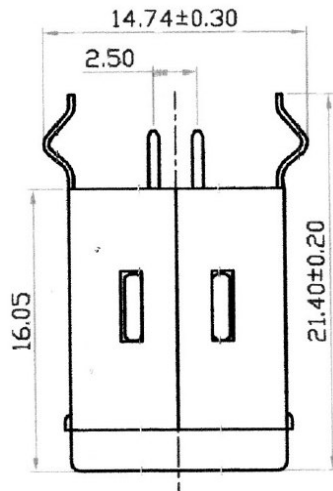
CAD FILE: XS0411200A

REV.	DESCRIPTION	DWG		APPROVED	
		NAME	DATE	NAME	DATE
X01	PROTOTYPE	Nancy	2006/06/22	Hunter	2006/06/22

- ▲ X01
- ◆ Assembly dim.
 - Functionally dim.
 - Control dim.

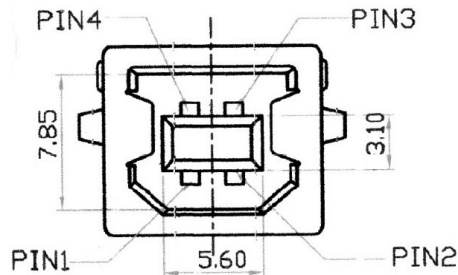


PC BOARD LAYOUT
Tolerance ±0.05



Notes:

- 1 Materials:
 - 1-1 Contact: Phosphor Bronze
 - 1-2 Housing: P.B.T
 - 1-3 Shell: Brass
 - 1-4 Botton Cover: P.B.T
- 2 Mechanical Characteristics:
 - 2-1 Contact Insertion Force: 35N Maxmum
 - 2-2 Contact Separation Force: 10N Minmum
- 3 Electrical Characteristics:
 - 3-1 VoltaGe Rating: 30V AC (rms)
 - 3-2 Current Rating: 10A Max.
 - 3-3 Contact Resistance: 30 Milliohm Max.
 - 3-4 Insulation Resistance: 1000 Megohms Min
 - 3-5 Dielectric Withstanding Voltage: 500V DC/1min
 - 3-6 Total mating Force: 3.57 kgf Max.
 - 3-7 Total Unmating Force: 1.0 kgf Min.
 - 3-8 Temperature: -55°C-- +105°C
- 4 Finishes:
 - 4-1 Contacts : Gold Flash Plating
 - 4-2 Shell: Ni



Approval Signature

INTENDED USE: ACT		ACT Advanced Connection Technology Inc. TAIWAN, R.O.C. TEL: 886-2-88091060			
GENERAL DIMENSION		TITLE: USB 4pins B Type 180° DIP		DRAWN: Nancy 2006/06/22	
XX±0.30	.X±0.30	DWG NO: 301-04112-00		CHECKED: Knight 2006/06/22	
X±0.20	.XX±0.20			APPROVED: Hunter 2006/06/22	
		REV: X01		UNIT: mm	
		SCALE: NONE		SHEET 1 OF 1	
		NAME		DATE	