

THESE DRAWINGS AND SPECIFICATIONS ARE THE SOLE PROPERTY OF ADVANCED CONNECTION TECHNOLOGY INC. AND SHALL NOT BE REPRODUCED, COPIED, OR USED IN ANY MANNER WITHOUT THE PRIOR WRITTEN CONSENT OF ADVANCED CONNECTION TECHNOLOGY INC. OR ITS AFFILIATED SUBSIDIARIES.

CAD FILE: XS05002-07A

REV.	DESCRIPTION	DWG		APPROVED	
		NAME	DATE	NAME	DATE
X01	PROTOTYPE	Sucre	01/21/2010	Knight	01/21/2010
X02	PROTOTYPE	Sucre	01/31/2010	Knight	01/31/2010
X03	UPDATE DRAWING	Sucre	02/09/2010	Knight	02/09/2010

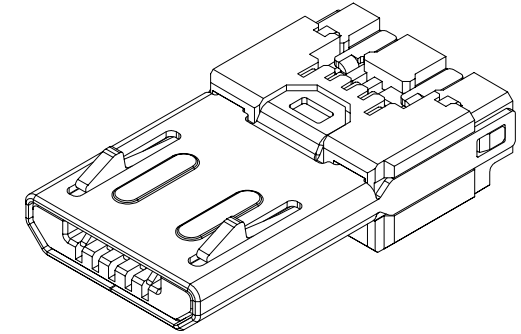
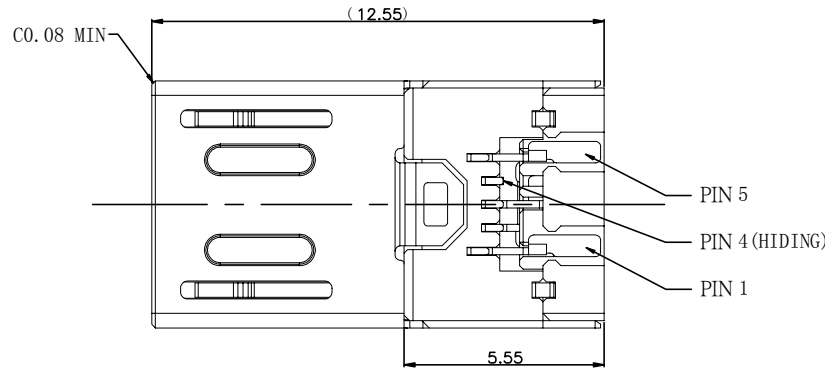
$\triangle X0.3$

1 ■ Functionally dim.

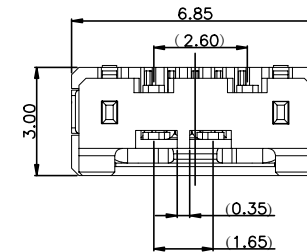
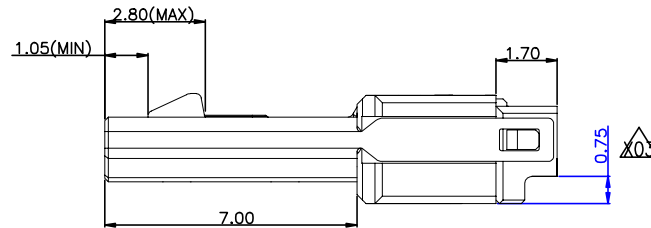
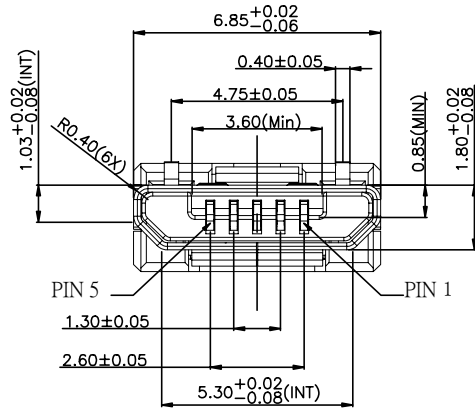
◆ Assembly dim.

● Control dim.

PIN NO.	SIGNAL NAME
PIN 1	VBUS
PIN 2	D-
PIN 3	D+
PIN 4	HIDING
PIN 5	GND
SHELL	SHIELD

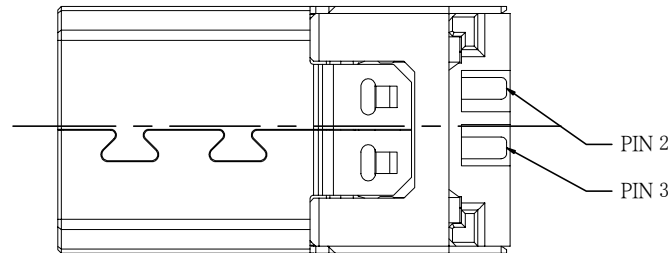


2



3

4




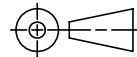
NOTES:

1. Material:

- Housing: High Temperature Thermoplastic/HF/Black
- Contact : Copper Alloy T=0.2mm
Ni under plating, Sn plating on solder area.
Au plating on contact area.
- Shell : Stainless Steel, T=0.20mm
- Latch : Stainless Steel, T=0.40mm
- Cover : High Temperature Thermoplastic/Black

5

Approval Signature

INTENDED USE: ACT		 Advanced Connection Technology	
GENERAL DIMENSION		TAIWAN TEL: 886-2-88091060	
XX±0.30	.X±0.15	TITLE: MICRO USB B TYPE PLUG/4PIN	DRAWN: Sucre 02/09/2010
X±0.20	.XX±0.10	DWG NO: 305-05002-07 X03	CHECKED: Coco 02/09/2010
		APPROVED: Knight 02/09/2010	APPROVED: Knight 02/09/2010
		UNIT: mm	SCALE: NONE
		SHEET 1 OF 1	NAME DATE