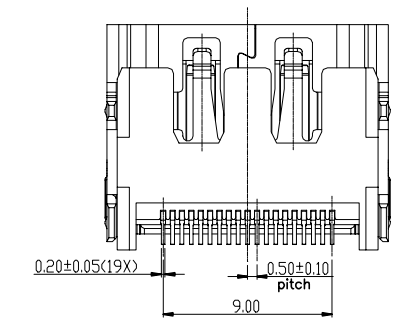
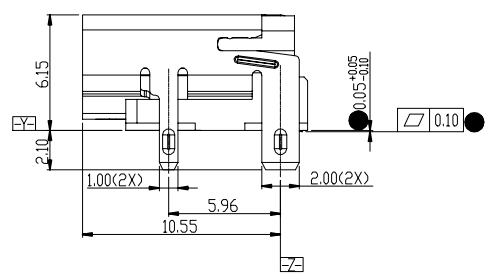
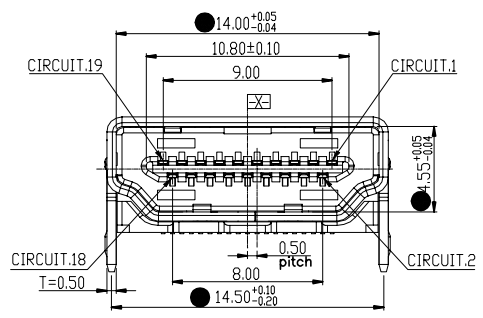
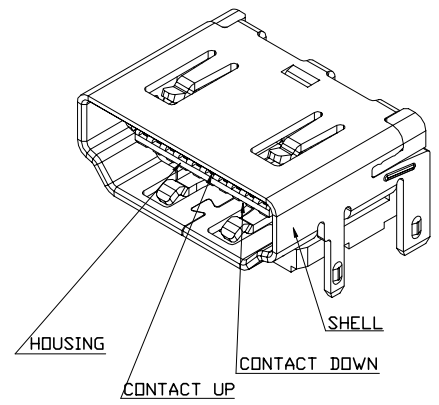
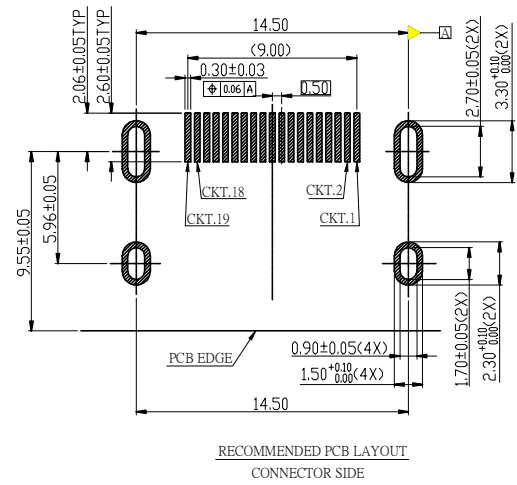
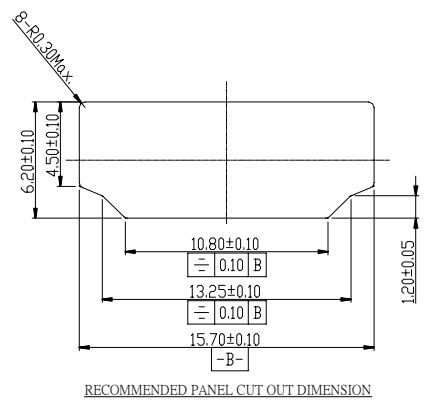
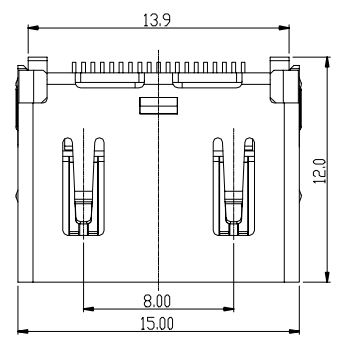


THESE DRAWINGS AND SPECIFICATIONS ARE THE SOLE PROPERTY OF ADVANCED CONNECTION TECHNOLOGY INC. AND SHALL NOT BE REPRODUCED, COPIED, OR USED IN ANY MANNER WITHOUT THE PRIOR WRITTEN CONSENT OF ADVANCED CONNECTION TECHNOLOGY INC. OR ITS AFFILIATED SUBSIDIARIES.

CAD FILE: S19001-05A

REV.	DESCRIPTION	DWG		APPROVED	
		NAME	DATE	NAME	DATE
AA	RELEASED	Froos	10/19/2010	Sam	10/19/2010

- 1 ◆ Assembly dim.
- 2 ■ Functionally dim.
- 3 ● Control dim.



- NOTES:
- MATERIAL:
HOUSING:HIGH TEMPERATURE THERMAL PLASTIC
SHELL:STEEL
TERMINAL:BRASS
 - PLATING:
TERMINAL:CONTACT AREA:GOLD 15u" PLATED
SOLDER AREA:TIN PLATED
UNDER PLATE:NICKEL
SHELL:NICKEL PLATE OVERALL
 - COPLANARITY IS 0.1mm MAX.

Approval Signature

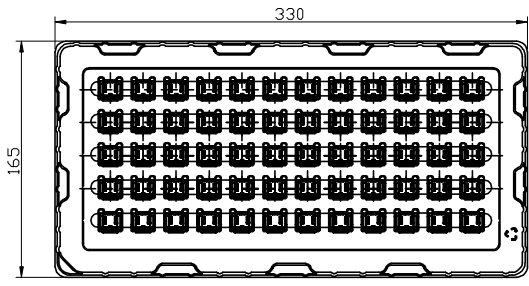
INTENDED USE: ACT	ACTT TAIWAN, R.O.C. TEL: 886-2-88091060			
GENERAL DIMENSION	TITLE: 19Pins HDMI I/O (without flange,with backcover)			DRAWN: Froos
X.±0.30	X.XX±0.15			CHECKED: Coco
X.X±0.20	angle±1°	DWG NO: 350-19001-05	REV. AA	APPROVED: Sam
		UNIT: mm	SCALE: NONE	SHEET 1 OF 2
				NAME DATE

THESE DRAWINGS AND SPECIFICATIONS ARE THE SOLE PROPERTY OF ADVANCED CONNECTION TECHNOLOGY INC. AND SHALL NOT BE REPRODUCED, COPIED, OR USED IN ANY MANNER WITHOUT THE PRIOR WRITTEN CONSENT OF ADVANCED CONNECTION TECHNOLOGY INC. OR ITS AFFILIATED SUBSIDIARIES.

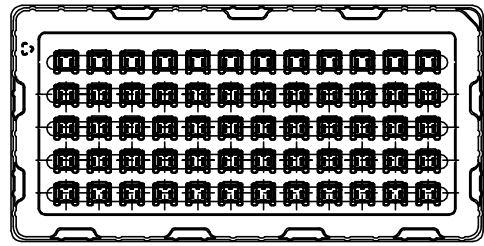
CAD FILE: S19001-05B

REV.	DESCRIPTION	DWG		APPROVED	
		NAME	DATE	NAME	DATE
AA	RELEASED	Froos	10/19/2010	Sam	10/19/2010

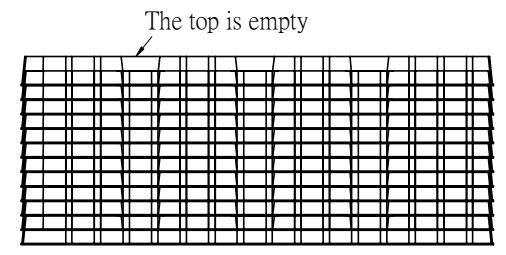
- 1 ◆ Assembly dim.
- 2 ■ Functionally dim.
- 3 ● Control dim.



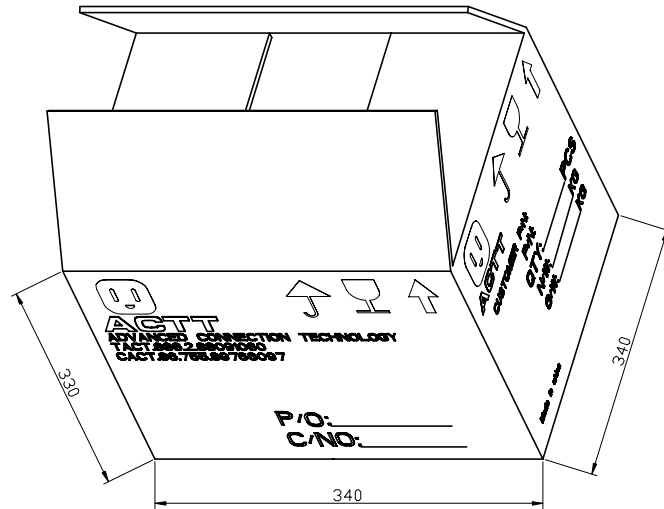
12x5=60pcs



The second tier rotate 180 degree in foundation of the first tier
The third tier rotate 180 degree in foundation of the second tier
On the analogy of this



12trays/groud,660pcs/group
Winding with PE film,and add desiccant



- 1.4groups/box,2640pcs/box
- 2.Carton material:A=A
- 3.Carton size:340x340x330mm
- 4.Carton must be marked order No.,quantity, net weight,gross weight when shipping

Approval Signature

INTENDED USE: ACT	ACTT TAIWAN, R.O.C. TEL: 886-2-88091060	
GENERAL DIMENSION	TITLE: 19Pins HDMI I/O (without flange,with backcover)	DRAWN: Froos 10/19/2010
XX±10	DWG NO: 350-19001-05	CHECKED: Coco 10/19/2010
X.X±5	REV: AA	APPROVED: Sam 10/19/2010
	UNIT: mm	SCALE: NONE
	SHEET 2 OF 2	NAME DATE