

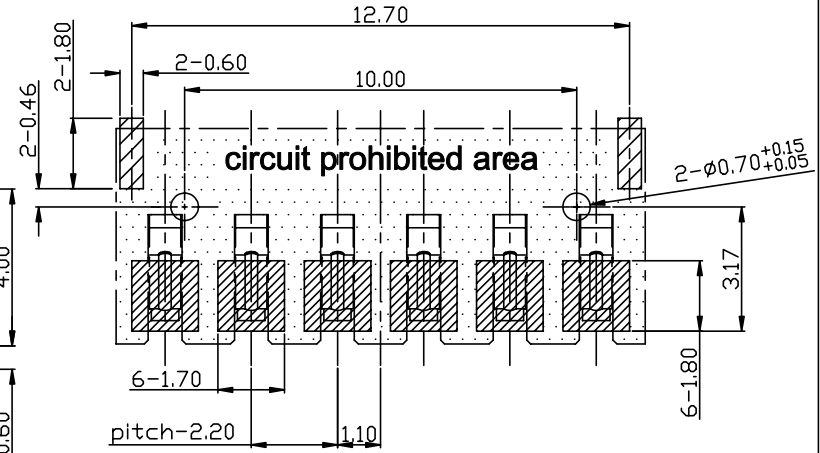
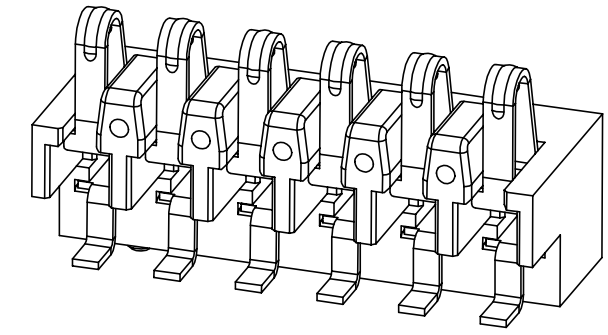
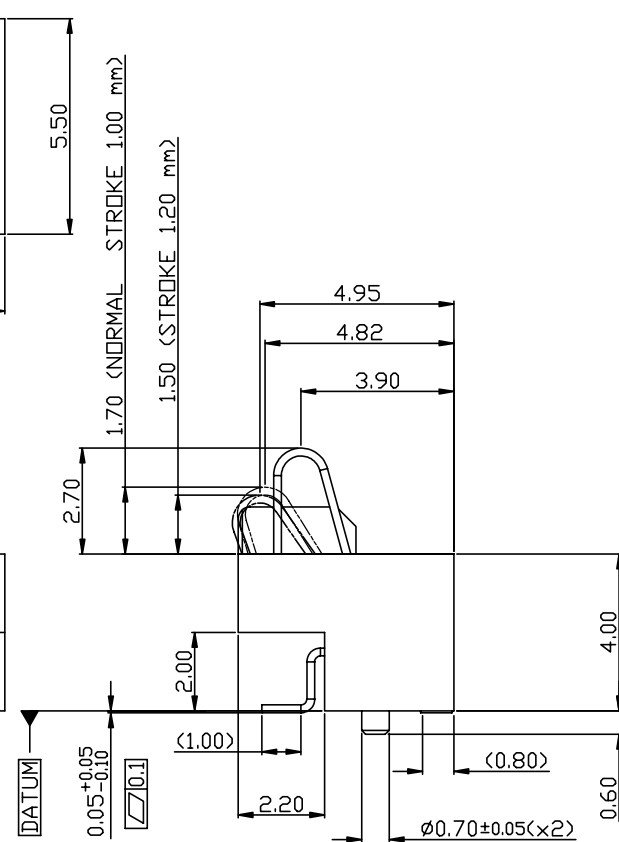
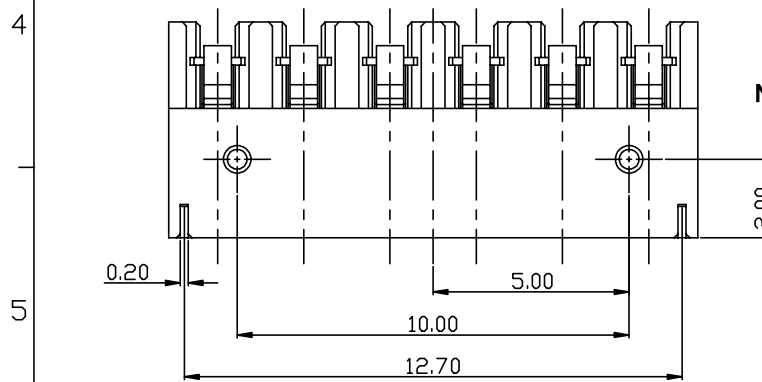
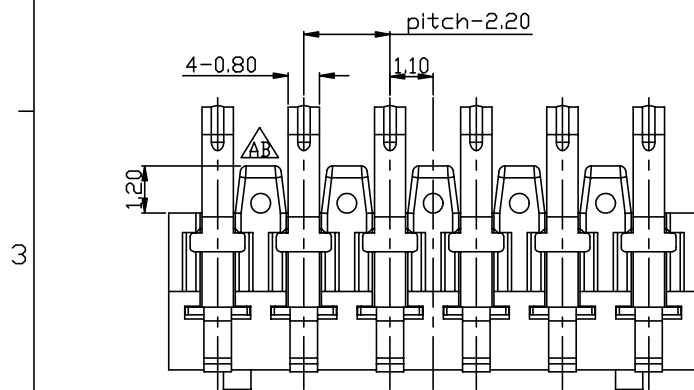
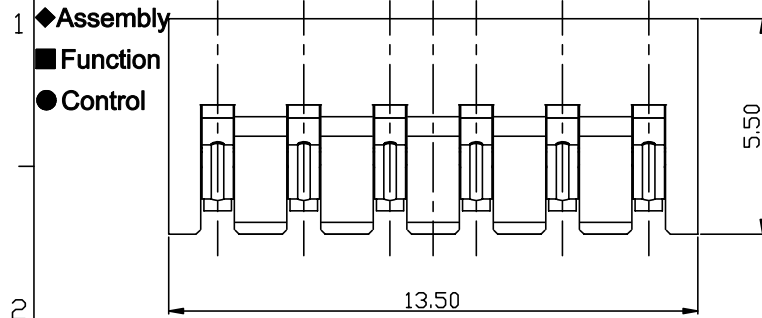
THESE DRAWINGS AND SPECIFICATIONS ARE THE SOLE PROPERTY OF ADVANCED CONNECTION TECHNOLOGY INC. AND SHALL NOT BE REPRODUCED, COPIED, OR USED IN ANY MANNER WITHOUT THE PRIOR WRITTEN CONSENT OF ADVANCED CONNECTION TECHNOLOGY INC. OR ITS AFFILIATED SUBSIDIARIES.

CAD FILE: S0600100a

REV.	DESCRIPTION	DWG		APPROVED	
		NAME	DATE	NAME	DATE
AA	RELEASED	Teddy	2006/11/28	Hunter	2006/11/28
AB	ECN:DC0701012	Balon	2007/01/08	Hunter	2007/01/08
AC	ECN:DC0702008	Teddy	2007/02/05	Hunter	2007/02/05



- ◆ Assembly
- Function
- Control



RECOMMENDED PCB LAYOUT  
TOLERANCE : ±0.05mm

**NOTE:**  
 1. Material:  
 Housing: High-Temperature Nylon, UL94V-0, BLACK.  
 Contact: Copper alloy.  
 Plating: Ni Over all, Au (Contact area), Au (Soldering area).  
 Soldering Pin: Copper alloy.  
 Plating: Ni, Sn Over all.  
 2. COPLANARITY SHOULD BE WITHIN 0.1mm.

INTENDED USE: TMIT		<b>ACT</b> Advanced Connection Technology Inc. TAIWAN, R.O.C. TEL: 886-2-88091060			
GENERAL DIMENSION		TITLE: 6pin Battery Conn. Pitch=2.2mm		DRAWN: Teddy 2007/02/05	
XX±0.25	.X±0.15	DWG NO: 800-06001-00		CHECKED: Ahua 2007/02/05	
X±0.20	.XX±0.1	REV. AC		APPROVED: Hunter 2007/02/05	
UNIT: mm		SCALE: NONE		SHEET 1 OF 2	
NAME		DATE			

CAD FILE:S0600100b

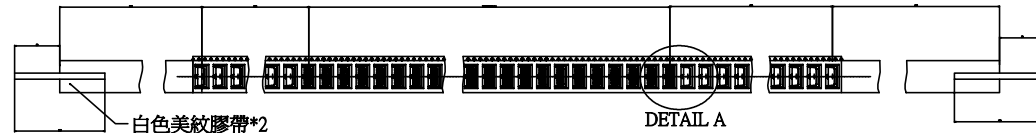
THESE DRAWINGS AND SPECIFICATIONS ARE THE SOLE PROPERTY OF ADVANCED CONNECTION TECHNOLOGY INC. AND SHALL NOT BE REPRODUCED, COPIED, OR USED IN ANY MANNER WITHOUT THE PRIOR WRITTEN CONSENT OF ADVANCED CONNECTION TECHNOLOGY INC. OR ITS AFFILIATED SUBSIDIARIES.

REV.	DESCRIPTION	DWG		APPROVED	
		NAME	DATE	NAME	DATE
AA	RELEASED	Teddy	2006/11/28	Hunter	2006/11/28
AB	ECN:DC0701012	Balon	2007/01/08	Hunter	2007/01/08
AC	ECN:DC0702008	Teddy	2007/02/05	Hunter	2007/02/05

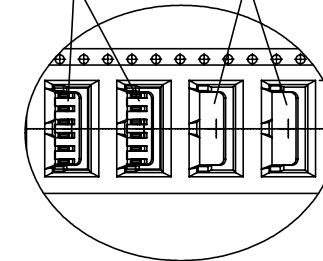


- Assembly dim.
- Functionally dim.
- ◆ Control dim.

成品出料帶方向

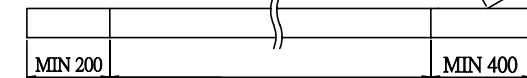


Battery (空位)



NOTES:

- 1. PACKING PREPARE LEADER AND EMPTY. DETAIL AS BELOW

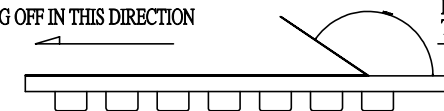


TAIL(EMPTY) WITH CONNECTOR LEADER(EMPTY)

- 2. FORCE OF TEARING OFF TOP TAPE 15-80 gf

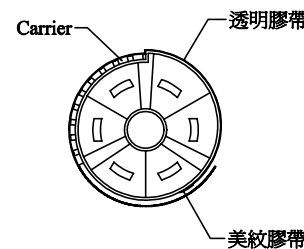
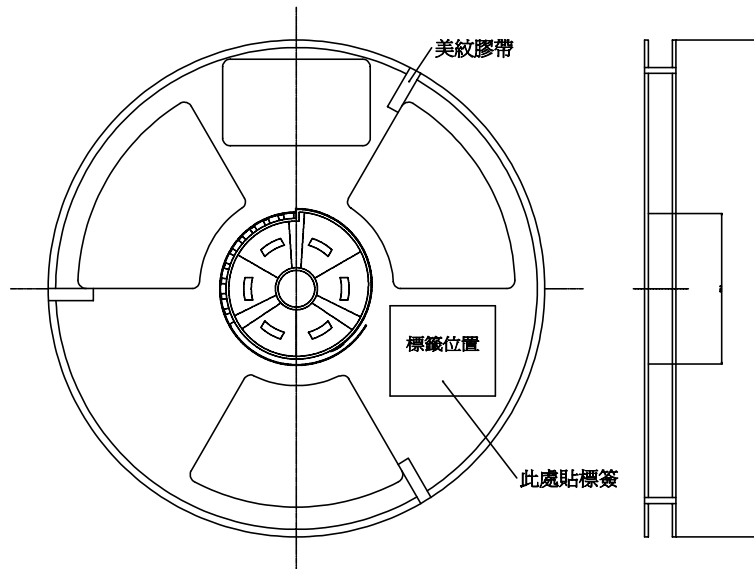
TEARING OFF IN THIS DIRECTION

PULL OUT IN THIS DIRECTION



- 3. EDGE OF ROLLING UP SHOULD BE ADHERED THE TOP COVER TAPE TO THE SIDE OF REEL AN ADHENSIVE TAPE
- 4. TOP COVER TAPE SHOULD BE LIMITED IN AREA OF PLASTIC TAPE

- 5. PLASTIC REEL --DIM A Ø330 DIM B Ø100
- 6. QUANTITY--PLASTIC REEL ABOUT 700 PCS
- 7. CARRIER TAPE COLOR : TRANSPARENT.



裝成品料帶方式

INTENDED USE: ACT		<b>SACT</b> Advanced Connection Technology Inc. TAIWAN, R.O.C. TEL: 886-2-88091060			
GENERAL DIMENSION		TITLE: 6pin Battery Conn. Pitch=2.2mm	DRAWN: Teddy	2007/02/05	
XX±0.20	X.X±0.10	DWG NO: 800-06001-00	CHECKED: Ahua	2007/02/05	
X±0.15	X.XX±0.05	REV. AC	APPROVED: Hunter	2007/02/05	
UNIT: mm		SCALE: NONE	SHEET 2 OF 2	NAME	DATE