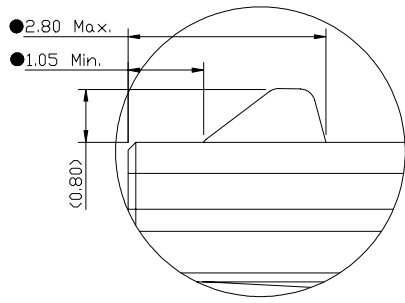
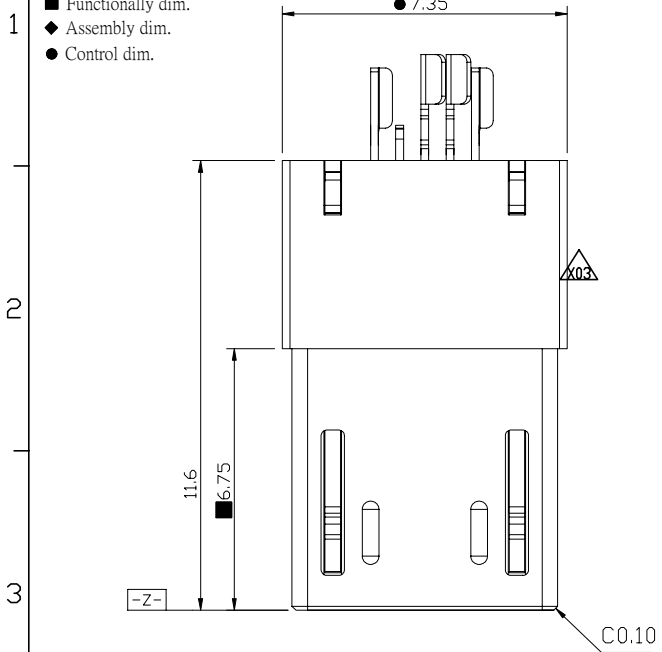


THESE DRAWINGS AND SPECIFICATIONS ARE THE SOLE PROPERTY OF ADVANCED CONNECTION TECHNOLOGY INC. AND SHALL NOT BE REPRODUCED, COPIED, OR USED IN ANY MANNER WITHOUT THE PRIOR WRITTEN CONSENT OF ADVANCED CONNECTION TECHNOLOGY INC. OR ITS AFFILIATED SUBSIDIARIES.

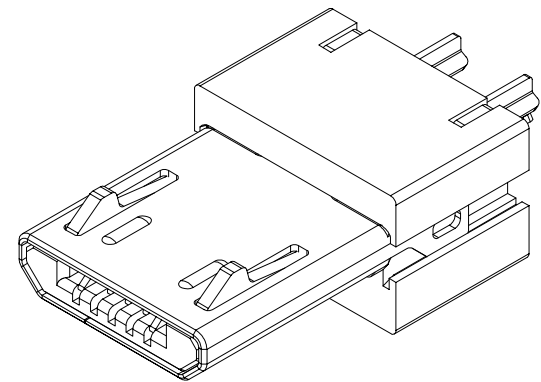
CAD FILE:XS05002-04a

REV.	DESCRIPTION	DWG		APPROVED	
		NAME	DATE	NAME	DATE
X01	PROTOTYPE	Peak	Feb/26/2009	Knight	Feb/26/2009
X02	change dwg	Cat	03/26/2009	Knight	03/26/2009
X03	change dwg	Cat	04/15/2009	Knight	04/15/2009

- ▲ X03
- Functionally dim.
 - ◆ Assembly dim.
 - Control dim.

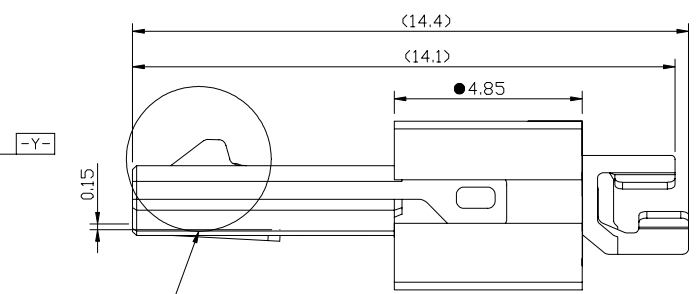
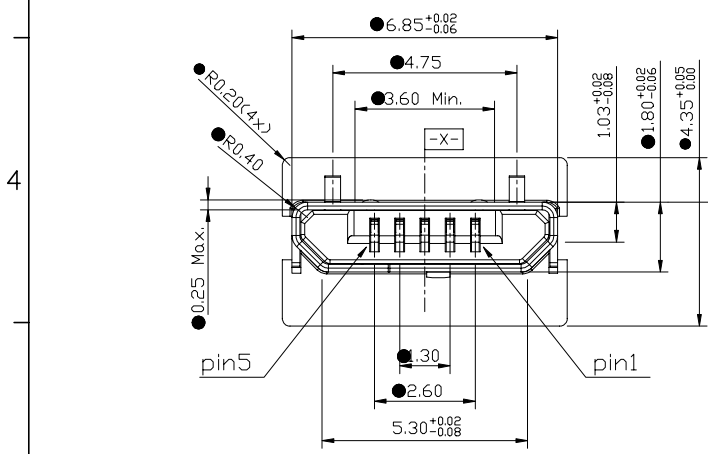


DETAIL D
SCALE 2:1




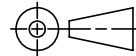
NOTE:

- 1.Material:
- Housing:High Temperature Thermoplastic, UL94-V0
- ▲ X03 Contact:Copper Alloy T=0.20mm
- Ni under plating,Sn plating on solder area.
- Au plating on contact area.
- Shell:Stainless Steel,T=0.20mm
- Latch:Stainless Steel,T=0.40mm



DETAIL D

Approval Signature

INTENDED USE: ACT	 Advanced Connection Technology TAIWAN TEL: 886-2-88091060	
GENERAL DIMENSION	TITLE: MICRO USB B TYPE PLUG FOR CHARGER	DRAWN: Cat 04/15/2009
X.X±0.20	DWG NO: 305-05002-04	CHECKED: Coco 04/15/2009
X.XX±0.10	REV. X03	APPROVED: Knight 04/15/2009
	UNIT: mm	SCALE: NONE
	SHEET 1 OF 1	NAME DATE